

# V200/V210 Polymer

## Product Specification

### Volumetric cold water meters



#### Moulding the future...

Elster is a world-leader in metering technology, with a global reputation for innovation and quality. We are now introducing the V200 and V210 polymer meters, with unsurpassed metering performance, designed to comply with all future water quality and environmental requirements.

#### Shaped by the past...

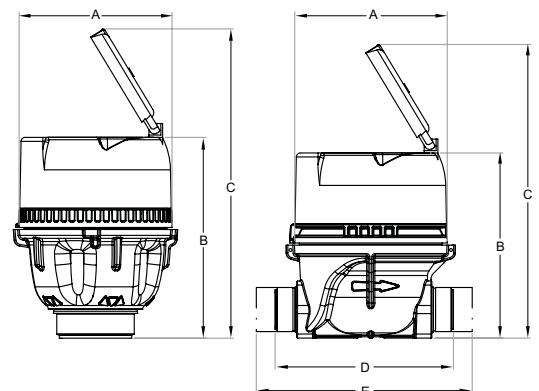
Since the early 1980's Elster has pioneered the manufacture of polymer bodied water meters, with over a million meters installed in some of the harshest environments worldwide. Developing on this unrivalled expertise, the V200 and V210 polymer meters are able to offer real benefits during installation and operation.

#### Flow Performance to Directive 2004/22/EC, EN14154, OIML R49 and ISO4064

		V210	V210	V200	V200
Nominal Pipe Diameter DN	mm	15	15	15	15
Permanent Flow Q3	m <sup>3</sup> /h	2.5	2.5	2.5	2.5
Flow Range (R) Q3/Q1		400	250	400	160
Minimum Flow Q1	l/h	6.25	10	6.25	16
Transitional Flow Q2	l/h	10	16	10	25
Overload Flow Q4	m <sup>3</sup> /h	3.125	3.125	3.125	3.125
Starting Flow (approx)	l/h	0.5	0.5	0.5	0.5

#### Technical Characteristics

		V210	V200
Nominal Diameter DN	mm	15	15
Thread Size	in	G1 1/2"	G 3/4"
Diameter A	mm	94	94
Height B	mm	124	114
Height with lid open C	mm	204	194
Length D	mm	n/a	110, 115, 134, 165, 170
Install Length E	mm	n/a	195, 200, 228, 250, 255
Weight (approx)	kg	0.48	0.48
Indicating Range	m <sup>3</sup>	99,999	99,999
Max. Water temperature MAT	°C	30	30
Max. Water Pressure MAP	bar	16	16
Max. Pressure Loss at Q3	bar	0.63	0.63



#### Register Options

##### Standard

Hermetically sealed copper can with mineral glass. Reed switch and bi-directional inductive pulse output available for integration with an Emeris AMR system.

##### inVISION™

Hermetically sealed copper can with mineral glass. Non-contact absolute encoder for intergration with an Emeris AMR system.

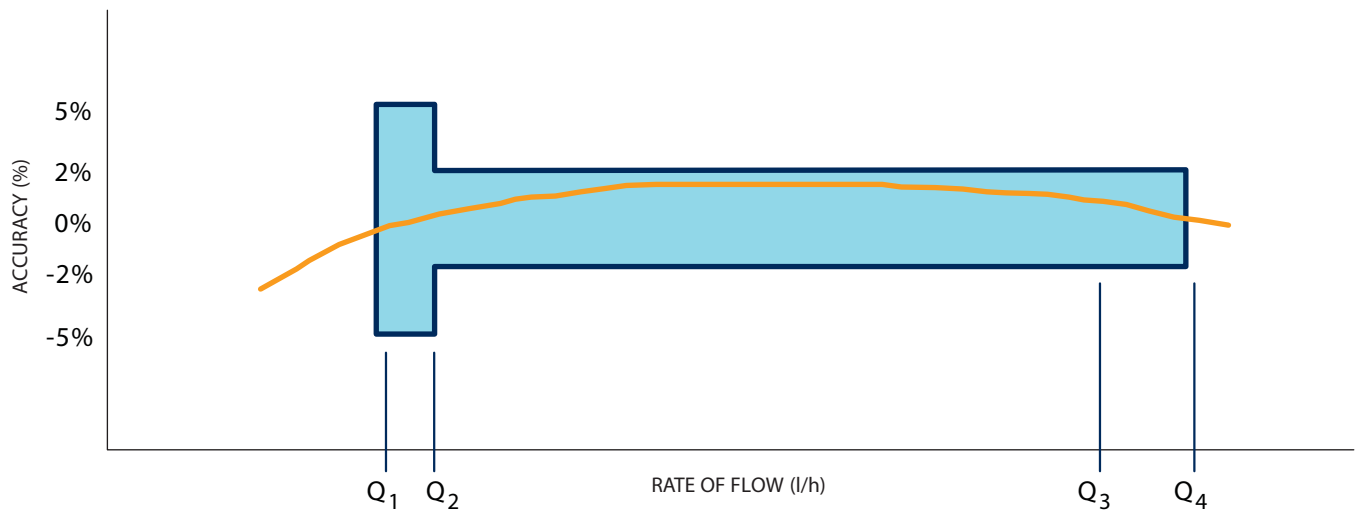


# V200/V210 Polymer

Product Specification

Volumetric cold water meters

## Typical Accuracy Curve



Note: Specifications are subject to change without notice.

**ADR**  
Arthur D Riley & Co Ltd

fieldsmart technology



**ADRwater**

**AUCKLAND**  
8 BEATRICE TINSLEY CRES  
ROSEDALE 0632  
PO BOX 302-248, GLENFIELD  
NORTH SHORE CITY 0747  
T: (09) 444 2350 F: (09) 444 3085

**HAMILTON**  
1/21 RAILSIDE PLACE  
DINSDALE 3204  
PO BOX 230  
RAGLAN 3265  
T: (07) 846 0602 F: (07) 846 0604

**WELLINGTON HEAD OFFICE**  
137 THORNDON QUAY  
WELLINGTON 6011  
PO BOX 3749  
WELLINGTON 6140  
T: (04) 472 7614 F: (04) 472 7658

**CHRISTCHURCH**  
UNIT 4, 89 VICKERYS ROAD  
WIGRAM 8042  
PO BOX 11 033, SOCKBURN  
CHRISTCHURCH 8443  
T: (03) 379 2628 F: (03) 379 2627

[www.adriley.co.nz](http://www.adriley.co.nz)