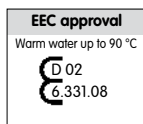


# M 190 Multi-jet meter

Dry-dial meter for warm water



- Multi-jet dry-dial meter for warm water
- Nominal flowrate  $Q_n$  1.5 to 15 m<sup>3</sup>/h
- EEC approval metrological Class B·H
- ELSTER conText<sup>®</sup> inscription system

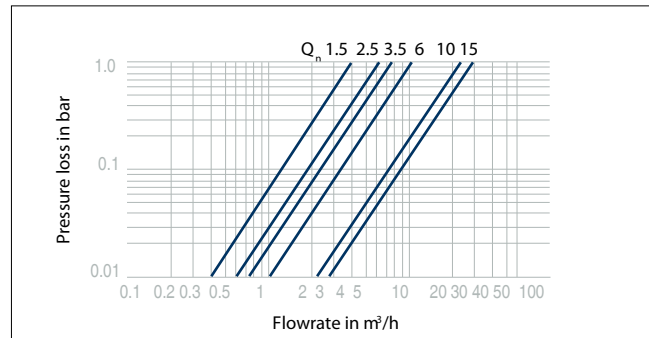


Reed Disc with tamper detection  
Type Reedswitch potted,  
protection IP 68  
max. 24 V DC,  
50 mA

Contact load  
Resistance 100 Ohm  
Cable 3 x 0.14 mm  
Ø 3.3 mm  
Pulse contact brown – white  
Tamper contact green – white  
Cable length 3 m

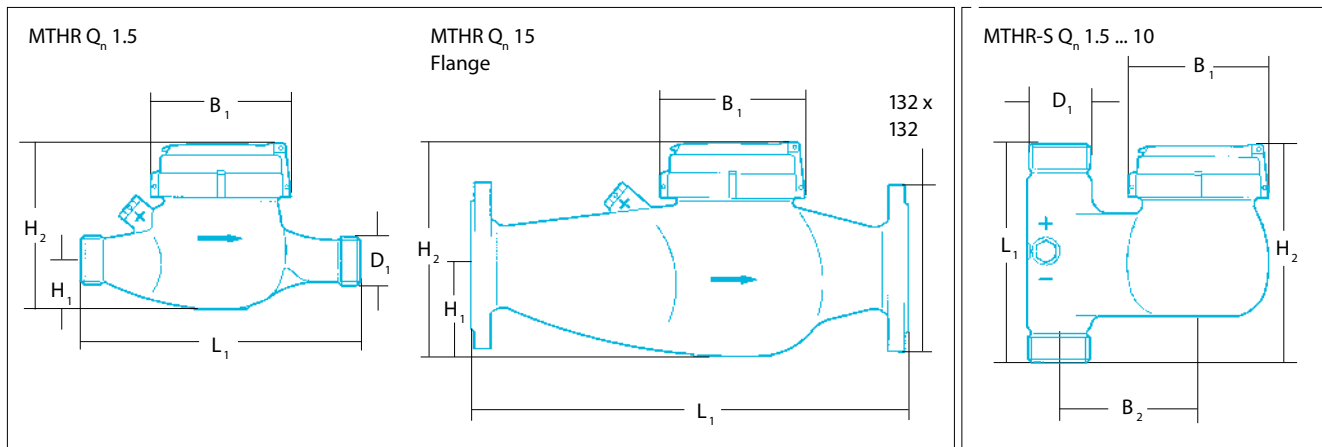


Ordering number  
100 litres/1 pulse 0000998  
1000 litres/1 pulse 0000999



Multi-jet meter M190 Meter size / Nominal flowrate Nominal size	Q <sub>n</sub> m <sup>3</sup> /h DN mm DN inches	MTHR						MTHR-S				
		1.5	2.5	3.5	6	10	15	15	1.5	2.5	6	10
		15	20	25	25	40	50	50	20	20	25	40
		1/2	3/4	1	1	1 1/2	2	2	3/4	3/4	1	1 1/2
Ordering number		0770574	0770582	0770590	0794287	0770620	0770647	0794295	0794309	0794317	0794325	0794333
Initial calibration class B-H												
Dimensions												
D <sub>1</sub> Meter conn. thread	ISO 228/1 inches	G 3/4 B	G 1 B	G 1 1/4 B	G 1 1/4 B	G 2 B	G 2 1/2 B	Flange	G 1 B	G 1 B	G 1 1/4 B	G 2 B
Conn. pipe thread	ISO 7/1 inches	R 1/2	R 3/4	R 1	R 1	R 1 1/2	R 2	—	R 3/4	R 3/4	R 1	R 1 1/2
L <sub>1</sub> Meter length	mm	165	190	260	260	300	270	270	105	105	150	200
Connector length	mm	40	50	60	60	70	60	—	50	50	60	70
B <sub>1</sub> Width	mm	100	100	100	100	100	100	100	100	100	100	100
B <sub>2</sub> Distance Pipe axis to meter axis	mm	—	—	—	—	—	—	—	80	80	94	120
H <sub>1</sub> Centerline height	mm	31	31	43	43	46	46	68	—	—	—	—
H <sub>2</sub> Overall height	mm	115	115	130	130	153	153	160	135	135	151	195
Weight	kg	1.5	1.6	2.5	2.5	3.7	4.5	8.5	1.8	1.8	2.6	5.5
Performance characteristics												
Maximum flow rate	Q <sub>max</sub> m <sup>3</sup> /h	3	5	7	12	20	30	30	3	5	12	20
Transitional flow rate	Q <sub>t</sub> ** l/h	120	200	200	480	800	1 500	1 500	120	200	480	800
Minimum flow rate	Q <sub>min</sub> ** l/h	25	35	35	80	150	200	200	25	35	80	150
Starting flow	l/h	10	15	15	50	50	100	100	10	15	30	50
Continuous load approx. 1.6 x Q <sub>n</sub>	l/h	2 500	4 000	5 600	10 000	16 000	25 000	25 000	2 500	4 000	10 000	16 000
Temperature	T <sub>max</sub> °C	90	90	90	90	90	90	90	90	90	90	90
Pressure rating	PN bar	16	16	16	16	16	16	16	16	16	16	16
Flow capacity at 1 bar pressure loss	m <sup>3</sup> /h 4.4	6.7	7.2	12.8	22	32	32	4.0	6.7	12.8	22	40

\*\* typical performance characteristics, exceeds the demands of the metrological class B



**ADR**  
Arthur D Riley & Co Ltd

fieldsmart technology



ADRwater

**AUCKLAND**  
8 BEATRICE TINSLEY CRES  
ROSEDALE 0632  
PO BOX 302-248, NORTH HARBOUR  
AUCKLAND 0751  
T: (09) 444 2350 F: (09) 444 3085

**HAMILTON**  
1/21 RAILSIDE PLACE  
DINSDALE 3204  
PO BOX 230  
RAGLAN 3265  
T: (07) 846 0602 F: (07) 846 0604

**WELLINGTON HEAD OFFICE**  
137 THORNDON QUAY  
WELLINGTON 6011  
PO BOX 3749  
WELLINGTON 6140  
T: (04) 472 7614 F: (04) 472 7658

**CHRISTCHURCH**  
UNIT 4, 89 VICKERYS ROAD  
WIGRAM 8042  
PO BOX 11 033, SOCKBURN  
CHRISTCHURCH 8443  
T: (03) 379 2628 F: (03) 379 2627

[www.adriley.co.nz](http://www.adriley.co.nz)